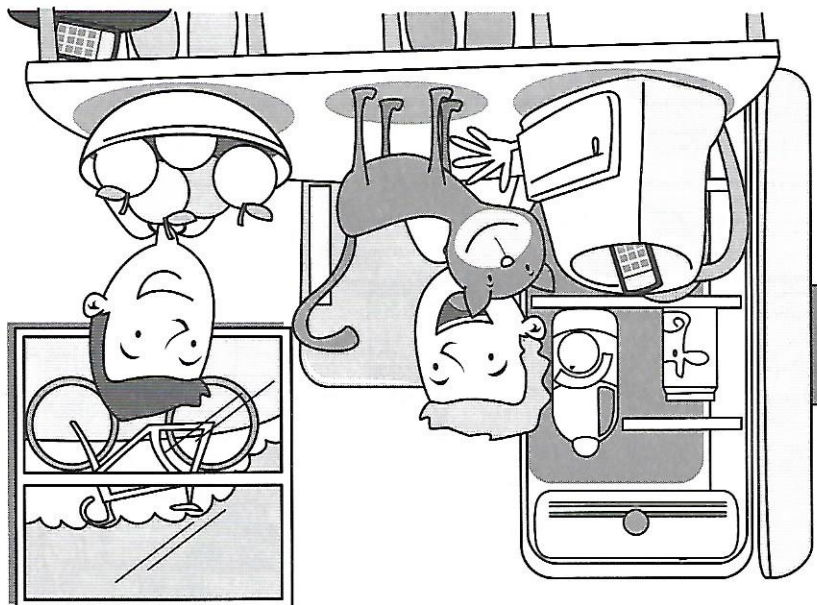


False! It's on the table.

There's a schoolbag under the table.



- 1 schoolbag / table
- 2 cat / table
- 3 boys / kitchen
- 4 bike / garden
- 5 mobile phone / schoolbag
- 6 mobile phone / table

4 Look and circle T (true) or F (false). Then in pairs, take turns to say true or false sentences about the picture for your partner to guess. Use the ideas in the box.

- 1 There are two big fridges. T / F
- 2 There's one table. T / F

- 3 There's orange juice in the fridge. T / F
- 4 There are five apples under the table. T / F

- 1 (A) big table / behind the sofa
- 2 (A) two mobile phones / on the sofa
- 3 (B) a door
- 4 (B) three books / on the table
- 5 (B) a cat / on the armchair

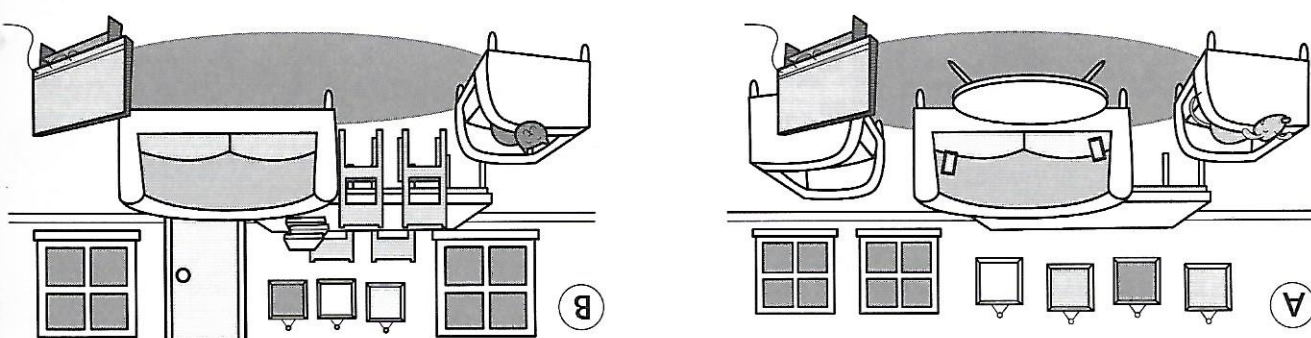
3 Write two more sentences about picture A and three more about picture B.

- 1 There's a big sofa.
- 2 a table in front of the sofa.
- 3 two armchairs.
- 4 a dog on one armchair.
- 5 two small windows.
- 6 four pictures.

There's a big table behind the sofa.

2 Complete the sentences about picture A. Use *There's* or *There are*.

There ¹ *is* a big sofa in my living room and there ² *is* / *are* a big table. It's behind the sofa. There ³ *is* / *are* four chairs next to the table. There ⁴ *is* / *are* an armchair in front of the TV. It's my cat's favourite place! There ⁵ *is* / *are* two big windows and there ⁶ *is* / *are* three pictures.



1 Read and circle the correct answer. Which picture is the text about?